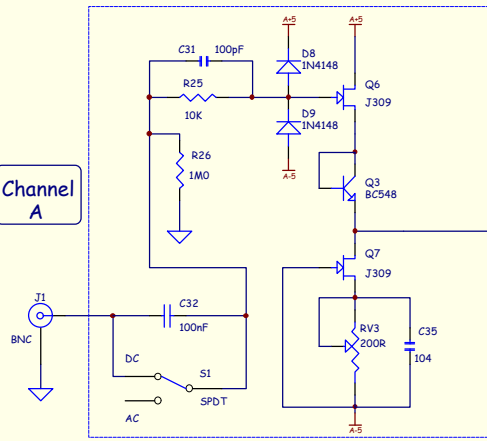
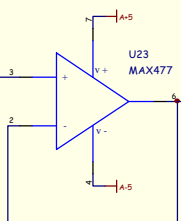


Channel A



Input Buffer

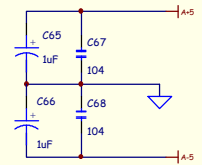
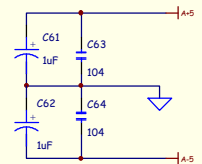


Matching JFET devices

Pairs of JFETs (Q6/Q7, Q8/Q9) should be reasonably matched to minimise temperature drift of input stage.

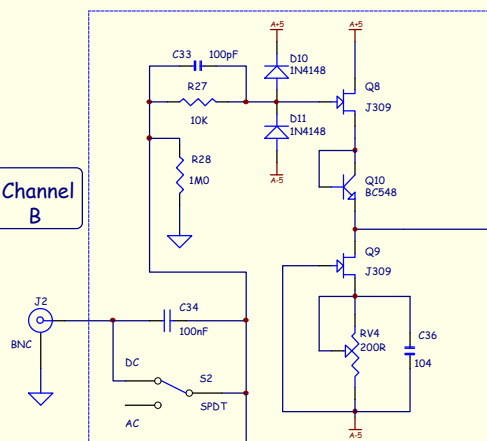
To match these devices, measure the current flow with $V_{gs} = -0.6V$ (1 diode VF).

If possible, these pairs should match within 5%.

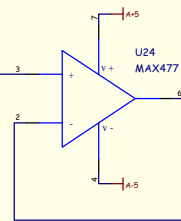


Calibrate to 0V with no input

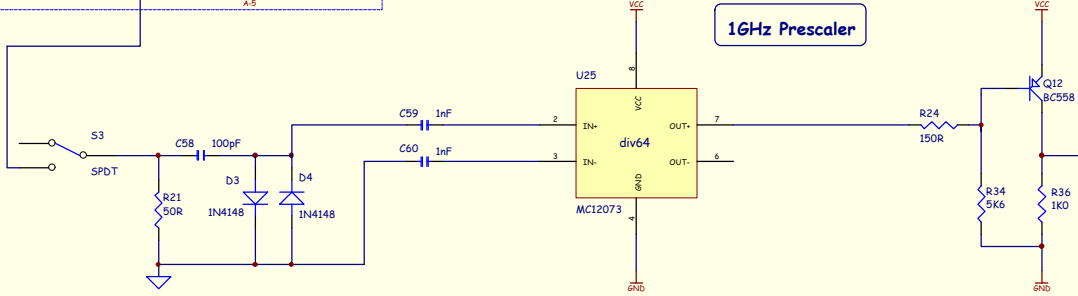
Channel B



Input Buffer



1GHz Prescaler



BitScope Designs		
Title	BitScope Channel Buffer Amplifiers	Sheet 5 of 5
A3	Document Number PCB 11	Rev 1.1
Date:	23-Aug-2000	BS11-5.SCH